

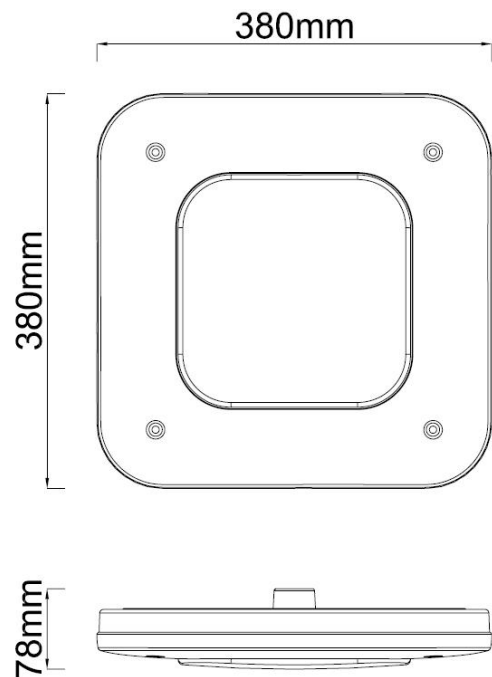


LED Canopy Light

EAS-CAN-100-01

Advantage:

- CE RoHS certificate
- High CRI
- Mean Well IP65 driver, Input voltage 100-240Vac
- No UV or IR in the beam
- Easy to install and operate
- Energy saving, Long lifespan
- Light is soft and uniform, Safe to eyes
- Instant start, NO flickering, NO humming
- Green and eco-friendly without mercury.



Application:

- ◆ Fuel station, Forecourt
- ◆ Service station, Toll station.

Product Specifications

Product name	LED Canopy Light
Part No	EAS-CAN-100-01
Dimension	380 x 380 x 78mm

Technical Characteristic

Color temperature	2700-6500K
CRI	>70
Lumen	9500 - 11500LM
Input Power	100W
Viewing Angle	120°
Input Voltage	100-240Vac 50/60Hz
Driver model	CEN-100-48 (Mean Well Driver)
PFC	>0.9
Waterproof Rating	IP65

Materials

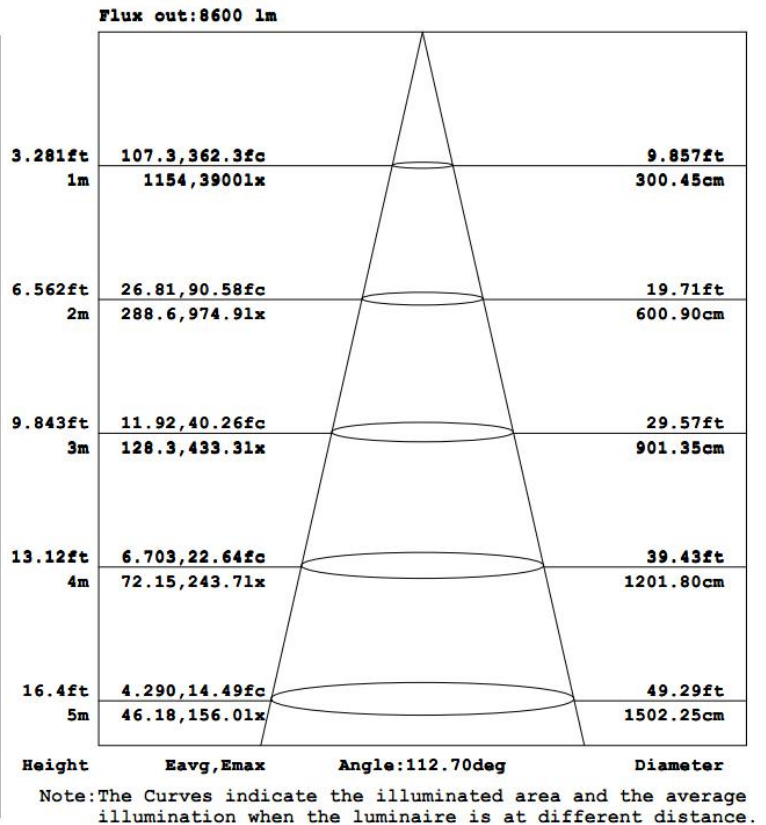
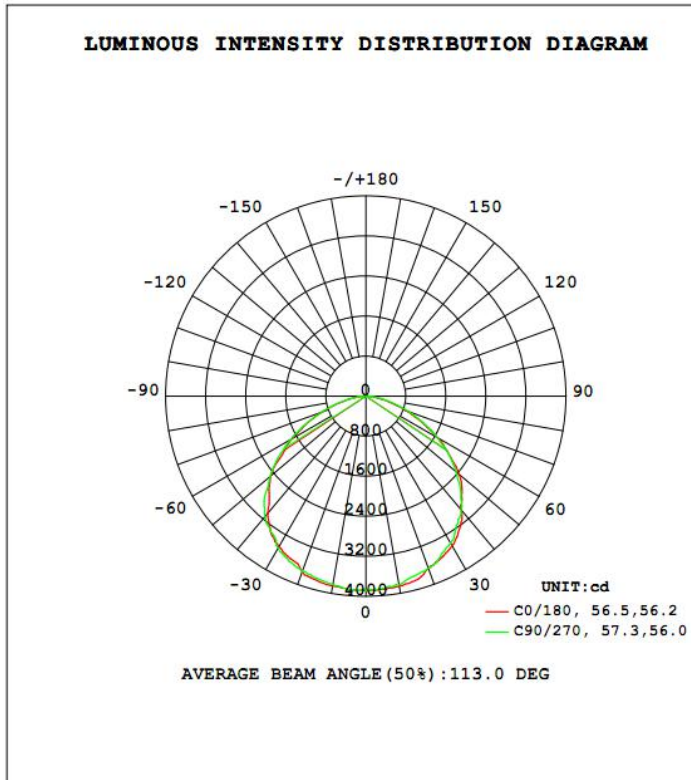
LED Brand	PHILIPS LUMILEDS
LED Type	LUXEON 3030 2D (1.5W)
LED QTY	126 PCS
Housing	Aluminum
Housing color	White

Others

Operating Temperature	-20°C TO 45°C
Operating Humidity	20%-90% RH
Storage Temperature	-30°C TO 80°C
Storage Humidity	10%-95%
Application	Outdoor / Indoor
Safety Certification	CE、RoHS
Warranty Time	5 Years

Light Distribution Testing Parameters

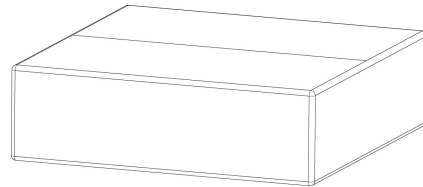
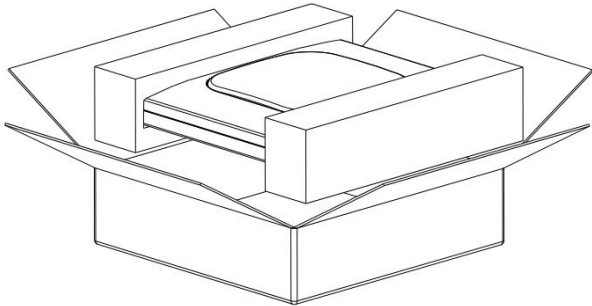
DATA OF LAMP		PHOTOMETRIC DATA Eff: 111.38 lm/W			
MODEL	100W	Imax (cd)	3897	S/MH (C0/180)	1.33
NOMINAL POWER (W)	100	LOR (%)	100.0	S/MH (C90/270)	1.32
RATED VOLTAGE (V)	240	TOTAL FLUX (lm)	11194	η UP, DN (C0-180)	0.1, 49.2
NOMINAL FLUX (lm)	11194.1	CIE CLASS	DIRECT	η UP, DN (C180-360)	0.1, 50.6
LAMPS INSIDE	1	η up (%)	0.2	CIBSE SHR NOM	1.50
TEST VOLTAGE (V)	240	η down (%)	99.8	CIBSE SHR MAX	1.50



Packaging

Lamps Net Weight: 5.9 Kg/pc

	Size	Qty/ Carton	Weight/ Carton
Outer box	425 x 420 x 120mm	1	6.9 KG



Notice For User

- ◆ Please turn off power before installation.
- ◆ The input voltage and lamps should be matched, after connecting the power, please make sure the wiring section is insulated.
- ◆ Only to be installed by certified personnel