

# EASi Flood Light V36B



120W

180W

240W

300W

500W

1000W

## Features:

- 130lm/w system light efficiency
- IP67 protection for outdoor
- Various beam angle options: 30°, 60°, 90°, 30°x70°, 60°x90°
- 1000W 130000lm max.

## Certificates:

- American market: UL, DLC Premium, cUL
- European market: TUV, GS, CB, CE, RoHS
- Australian market: SAA, CTick

**Applications:** Building and grounds lighting, outdoor sport fields, industrial yard, billboard and other general purpose area lighting applications



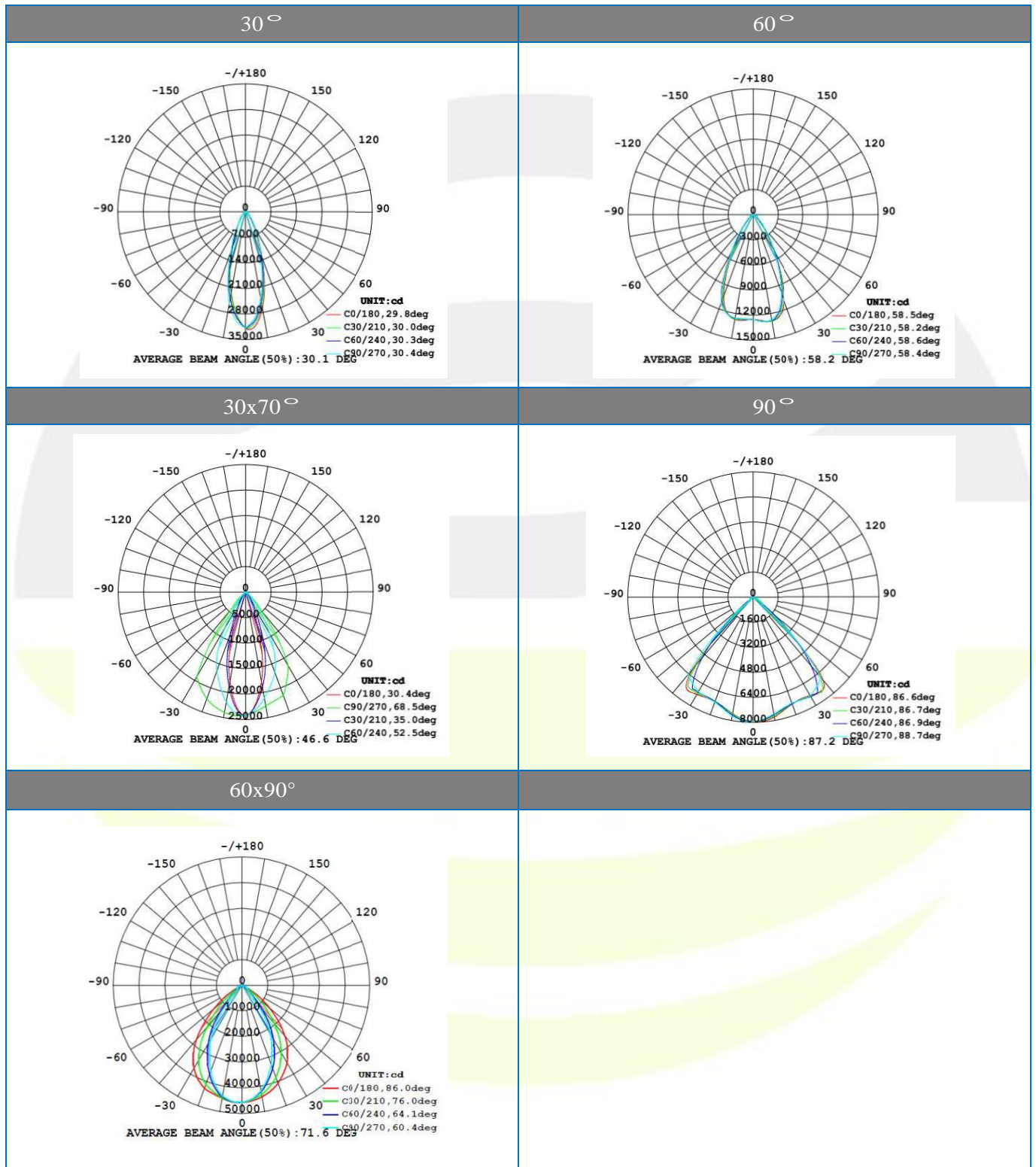
## Electrical and Photometric Specification

Input Voltage	Driving Current (mA)	Power (W)	Luminous Efficacy (lm/W)	Flux (lm)	Power Factor	Power Efficiency	Beam Angle	LED Brand	CCT (K)	CRI
AC100-277V 50~60Hz	2500	120	125±5	15000±600	0.95	90%	30°/ 60°/ 90°/ 30*70° / 60*90°	112PCS PHILIPS SMD3030	3000 4000 5000 6000	>70
AC100-277V 50~60Hz	3900	180	125±5	22500±900	0.95	92%	30°/ 60°/ 90°/ 30*70° / 60*90°	168PCS PHILIPS SMD3030	3000 4000 5000 6000	>70
AC100-277V 50~60Hz	5200	240	125±5	30000± 1200	0.95	92%	30°/ 60°/ 90°/ 30*70° / 60*90°	224PCS PHILIPS SMD3030	3000 4000 5000 6000	>70
AC100-277V 50~60Hz	6500	300	125±5	37500± 1500	0.95	92%	30°/ 60°/ 90°/ 30*70° / 60*90°	280PCS PHILIPS SMD3030	3000 4000 5000 6000	>70
AC100-277V 50~60Hz	5400X2	500	125±5	62500± 2500	0.95	92%	30°/ 60°/ 90°/ 30*70° / 60*90°	448PCS PHILIPS SMD3030	3000 4000 5000 6000	>70
AC100-277V 50~60Hz	5400X4	1000	125±5	125000± 5000	0.95	92%	30°/ 60°/ 90°/ 30*70° / 60*90°	896PCS PHILIPS SMD3030	3000 4000 5000 6000	>70

## Mechanical and Environmental Specification

Working Environment	Storage Temperature	Lumen Maintenance (h)	Housing Material	Surge Protection	Product Size (mm)	Packing Size (mm)	N.W (kg)	G.W (kg)
-40℃~+50℃ 0% ~ 90%RH	-40℃~+85℃	>50000	Aluminum 6063	4KV	300*320*236	350*390*240	7.8	9.3
-40℃~+50℃ 0% ~ 90%RH	-40℃~+85℃	>50000	Aluminum 6063	4KV	390*320*236	440*390*240	9.5	11.5
-40℃~+50℃ 0% ~ 90%RH	-40℃~+85℃	>50000	Aluminum 6063	4KV	480*320*236	530*390*240	10.8	13.8
-40℃~+50℃ 0% ~ 90%RH	-40℃~+85℃	>50000	Aluminum 6063	4KV	570*363*372	620*390*240	13.2	16.5
-40℃~+50℃ 0% ~ 90%RH	-40℃~+85℃	>50000	Aluminum 6063	4KV	840*363*372	890*390*240	18.5	22.3
-40℃~+50℃ 0% ~ 90%RH	-40℃~+85℃	>50000	Aluminum 6063	4KV	840*768*522	890*790*240	38.5	43.5

# Lighting Distribution

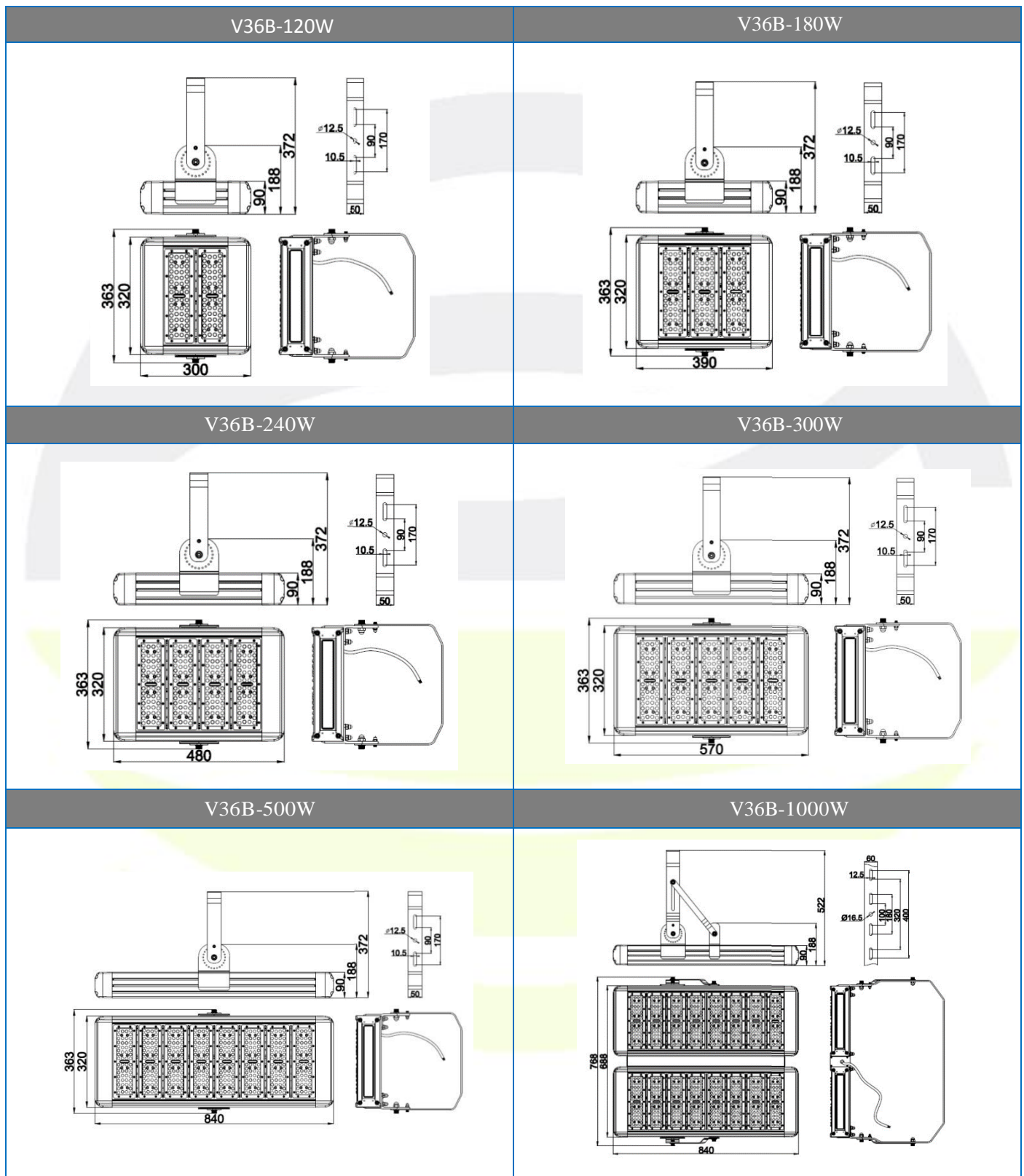


Energy Automation System  
 20-22 Wenlock Road  
 London N1 7GU  
 Tel: +44(0)708507669

Energy Automation Systems Ireland  
 Unit 18 Door Business Park, Quin Road  
 Ennis Co Clare  
 Tel: +353(0)65 6841722

EASI ME Trading LLC  
 111F ibn Battuta Gate  
 PO Box 390645  
 Dubai UAE  
 Tel: +971 4 361 7021

## Dimensions (mm)

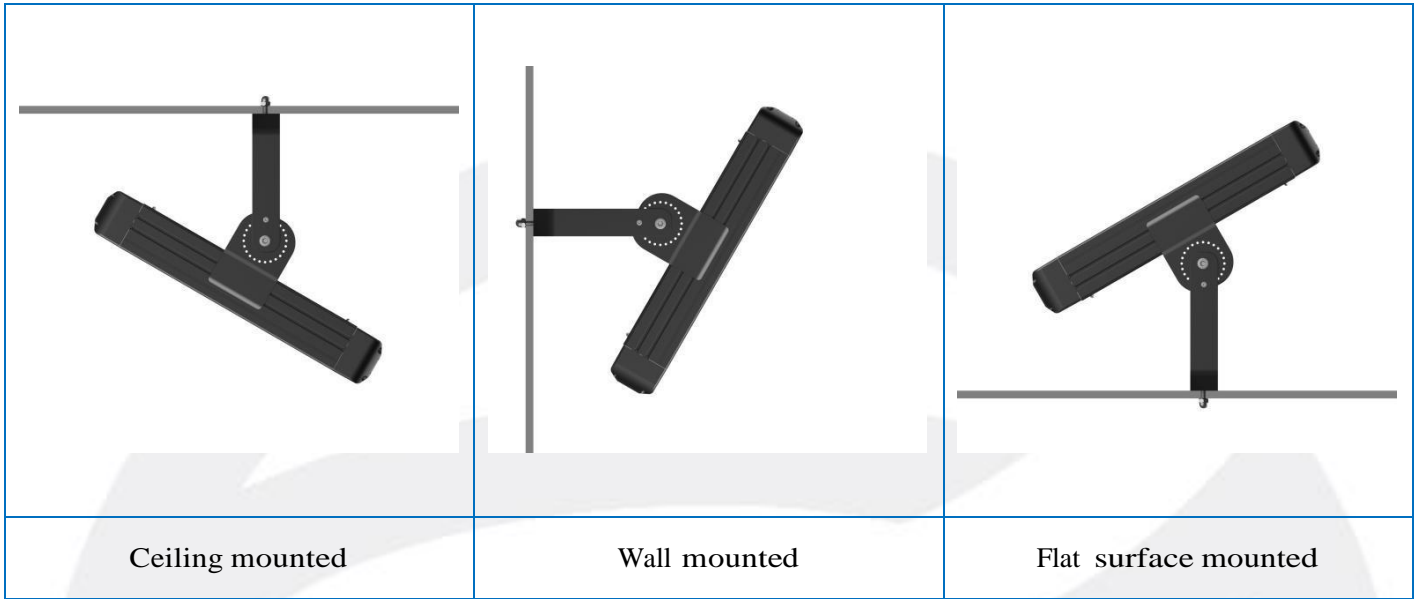


Energy Automation System  
 20-22 Wenlock Road  
 London N1 7GU  
 Tel: +44(0)708507669

Energy Automation Systems Ireland  
 Unit 18 Door Business Park, Quin Road  
 Ennis Co Clare  
 Tel: +353(0)65 6841722

EASI ME Trading LLC  
 111F ibn Battuta Gate  
 PO Box 390645  
 Dubai UAE  
 Tel: +971 4 361 7021

## Installation



360-degree rotation angle of bracket for the best lighting.

Specifications are subject to change without notice.