

Product Description

Advantages

- 1, Big area of PCB with good heat dissipation
- 2, Ultrathin housing design, saving shipping cost
- 3, Special surface treatment with anti-scratch & anti-rust function
- 4, Tempered glass with high light transmittance of 93%.
- 5, Anodized reflector to ensure long-lasting high efficiency
- 6, Lumileds 3030SMD and high efficacy up to 125LM/W
- 7, Good quality driver From Sosen with PF \geq 0.95



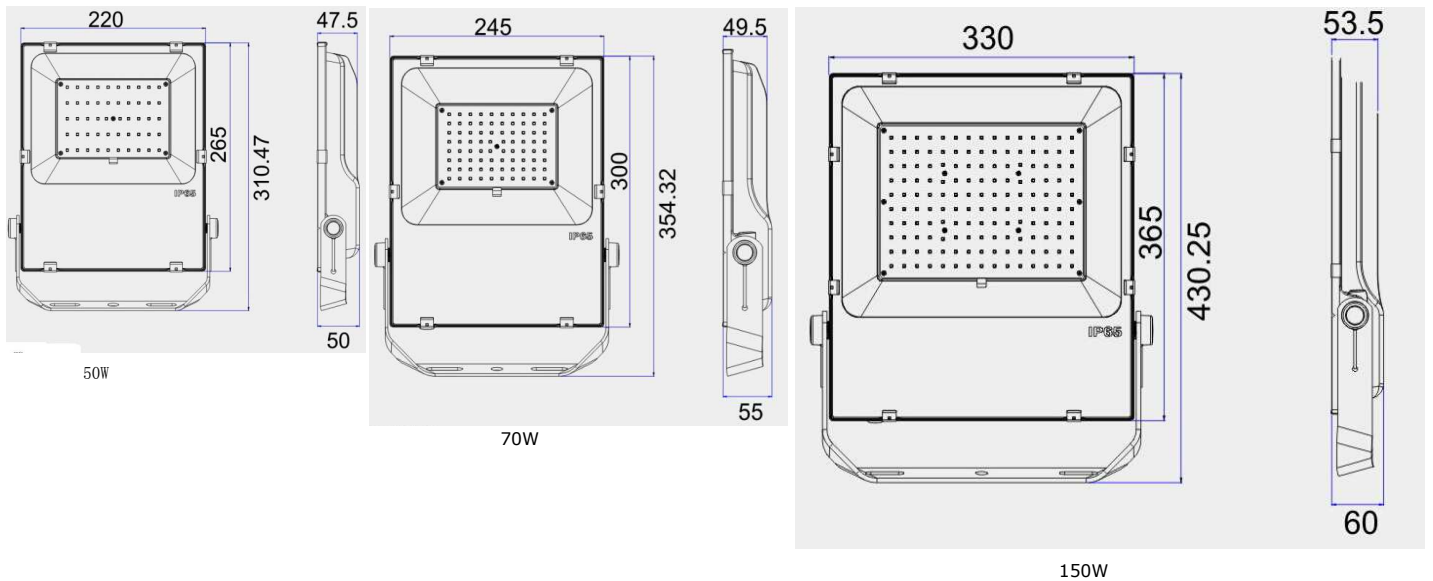
Application Notice

- 1, Operating temp. -25°C to 50°C;
- 2, Storage temp. -40°C to 80°C
- 3, IP65

Technical Specifications

Product Code	Input Voltage(V)	Power Factor	Total Power Watt(W)	Led Spec.	Driver	CCT(K)	CRI	LM/W	Lumen	IP RATE	Warranty
50W! FL	100 ~ 277VAC	PF \geq 0.95	50	Lumileds 3030	Sosen	4000/5000 /5700/650	>80	110/130	5500/6500	IP65	3 ~ 5 Years
70W! FL	100 ~ 277VAC	PF \geq 0.95	70	Lumileds 3030	Sosen	4000/5000 /5700/650	>80	110/130	7700/9100	IP65	3 ~ 5 Years
150W! F	100 ~ 277VAC	PF \geq 0.95	150	Lumileds 3030	Sosen	4000/5000 /5700/650	>80	110/130	16500/19500	IP65	3 ~ 5 Years

Dimension(mm)



Packing Details

50W

- 1, Carton Size 55X38X26(CM)
- 2, Qty/Ctn:8PCS
- 3, 18.7KG/Carton

70W

- 1, Carton Size 62X43X30(CM)
- 2, Qty/Ctn:8PCS
- 3, 25KG/Carton

150W

- 1, Carton Size 53X45X15(CM)
- 2, Qty/Ctn:1PCS
- 3, 7.1KG/Carton