

Sports Flood Light



Features:

- 130lm/w system light efficiency
- IP67 protection for outdoor
- Various beam angle options: 30°, 60°, 60°x90°
- 300W, 500W, 1000W

Certificates:

- American market: UL, DLC Premium, cUL
- European market: TUV, GS, CB, CE, RoHS
- Australian market: SAA, CTick

Applications: Sporting venues, highways, freight yards, ports, commercial parking lots, shopping centers, industrial plants, toll plazas, airports, power plants, parks and sports yards.

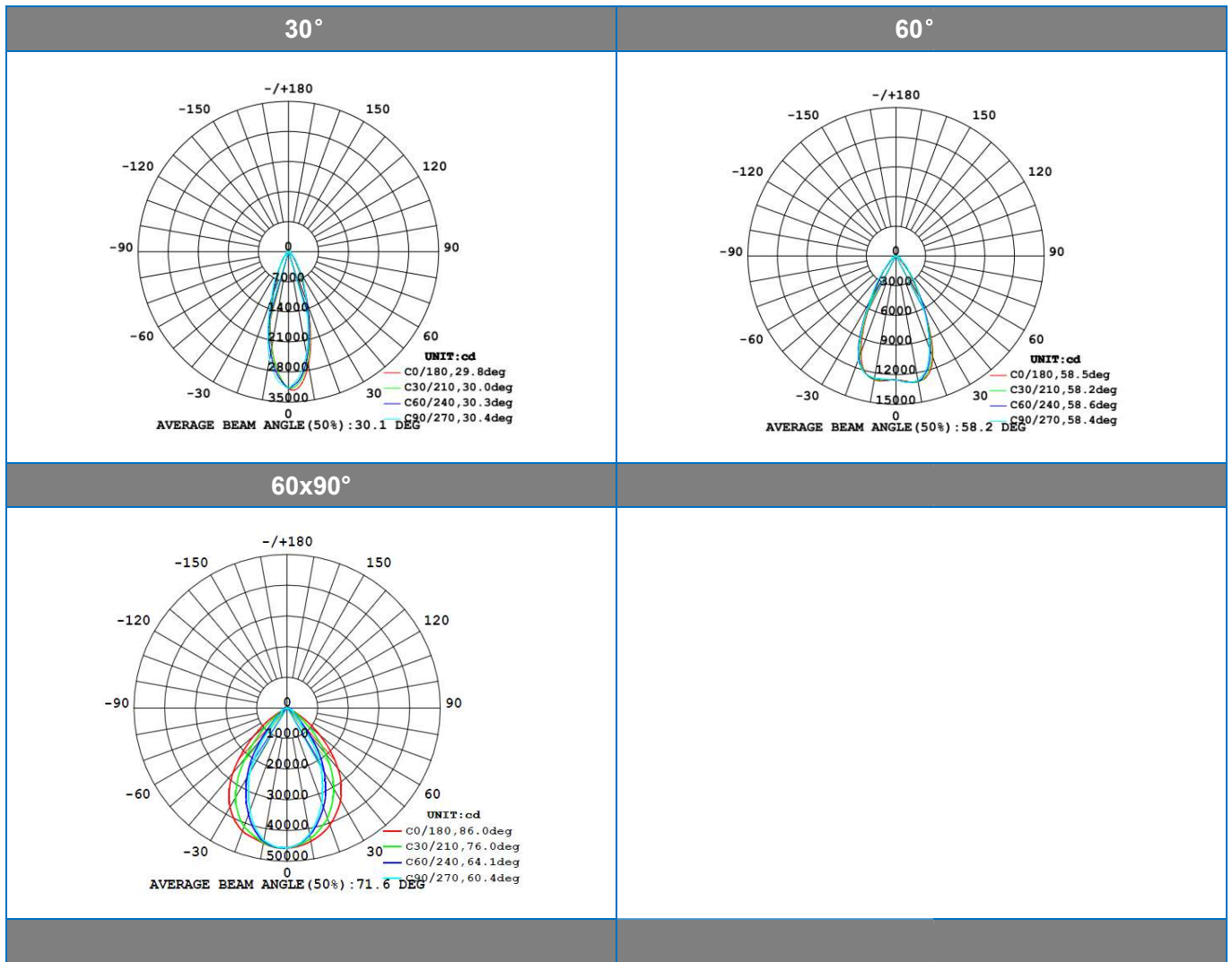


Electrical and Photometric Specification

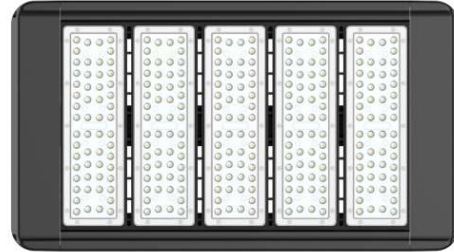
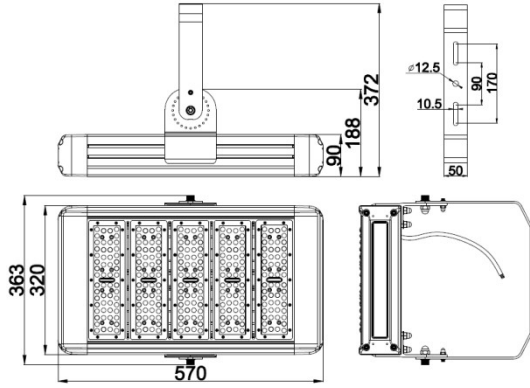
Model	Input Voltage	Driving Current (mA)	Power (W)	Luminous Efficacy (lm/W)	Flux (lm)	Power Factor	Power Efficiency	Beam Angle	LED Brand	CCT (K)	CRI
300W	AC100-277V 50~60Hz	6500	300	125±5	37500± 1500	0.95	92%	30°, 60°, 60°x90°	112PCS PHILIPS SMD3030	3000 4000 5000 6000	>70
500W	AC100-277V 50~60Hz	5400X2	500	125±5	62500± 2500	0.95	92%	30°, 60°, 60°x90°	112PCS PHILIPS SMD3030	3000 4000 5000 6000	>70
1000W	AC100-277V 50~60Hz	5400X4	1000	125±5	125000± 5000	0.95	92%	30°, 60°, 60°x90°	112PCS PHILIPS SMD3030	3000 4000 5000 6000	>70

Model	Working Environment	Storage Temperature	Lumen Maintenance (h)	Housing Material	Surge Protection	Product Size (mm)	Packing Size (mm)	N.W (kg)	G.W (kg)
300W	-40°C~+50°C 0%~90%RH	-40°C~+85°C	>50000	Aluminum 6063	4KV	570*363*372	620*390*240	13.2	16.5
500W	-40°C~+50°C 0%~90%RH	-40°C~+85°C	>50000	Aluminum 6063	4KV	840*363*372	890*390*240	18.5	22.3
1000W	-40°C~+50°C 0%~90%RH	-40°C~+85°C	>50000	Aluminum 6063	4KV	840*768*522	890*790*240	38.5	43.5

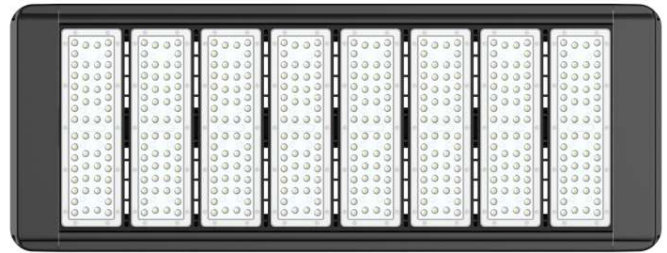
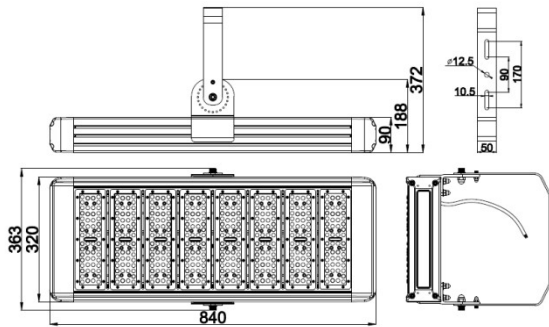
Lighting Distribution



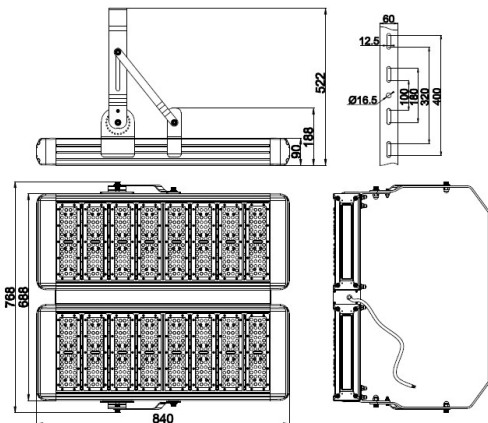
EAS-FL300XX-FT36B



EAS-FL500XX-FT36B



EAS-FL1000XX-FT36B



Specifications are subject to change without notice.