

LED Tri-proof Light



Product Features

- High quality driver from LiFud AC220-240V, PF>0.95, Efficiency>90%.
- High quality SMD 2835 LED chips: LM80 approved, CRI>80, SDCM≤4.
- PC Base+PC Cover+Metal PCB, IK10 level.
- Stainless Steel Clips+High Resilient Waterproof Gasket to ensure IP65.
- Microwave sensor, 1-10v dimmable, Dali, Emergency available.
- SAA, C-TICK, CE, ROHS, lifespan>50,000 hours.

Specifications

Product Code	EAS-IP65-1040-2 EAS-IP65-2040-2 EAS-IP65-3040-2	EAS-IP65-3040-4 EAS-IP65-4040-4 EAS-IP65-5040-4	EAS-IP65-3040-5 EAS-IP65-5040-5 EAS-IP65-6040-5
Dimension L*W*H	660*85*95mm	1270*85*95mm	1570*85*95mm
Wattage	10W;20W;30W	30W;40W;50W	30W;50W;60W
Luminous Flux	1250LM;2500LM;3750LM	3750LM;5000LM;6250LM	3750LM;6250LM;7500LM
Total Led Qty.	60PCS;120PCS;168PCS	168PCS;240PCS;312PCS	168PCS;312PCS;364PCS
Light Efficacy	125LM/W		
Led Spec.	SMD 2835, LM80 Approved		
CRI & SDCM	CRI>80; SDCM≤4		
CCT	3000K/4000K/5000K/6000K/6500K		
Beam Angle	120°		
Driver Brand	LiFud / Lite Science		
Input Voltage	220 ~ 240Vac		
Power Factor	>0.95		
IP/IK Rate	IP65; IK10		
Working Temp.	-25°C~40°C		
Lifespan	>50,000 hours		
Warranty	5 years		
Certificates	CE, ROHS, SAA, C-TICK		

Product Details



Connection

Standard version: One end power with 0.75m 3*1.0mm² cable



0.75m 3*1.0mm² cable Australia plug available

Option 1: Wire-through



One end



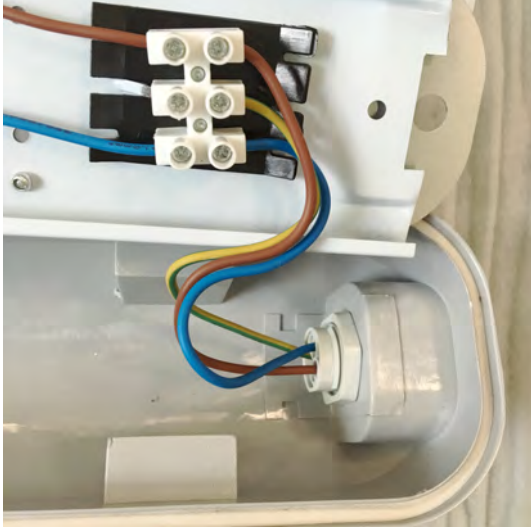
Other end



Standard terminal block Easy connection terminal block



Option 2: Quick installation plugs

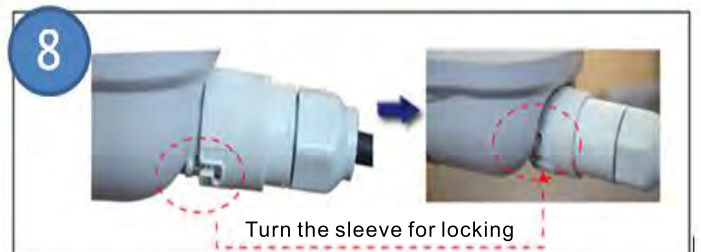
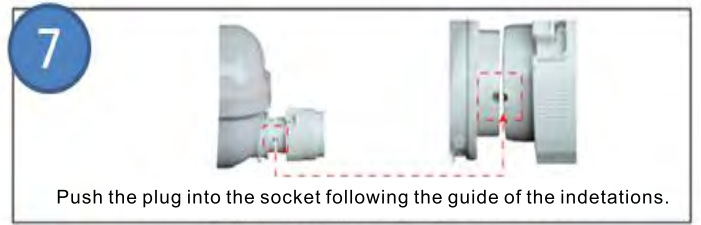
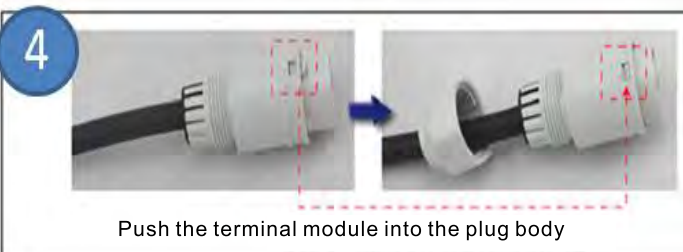


I IP65 connector



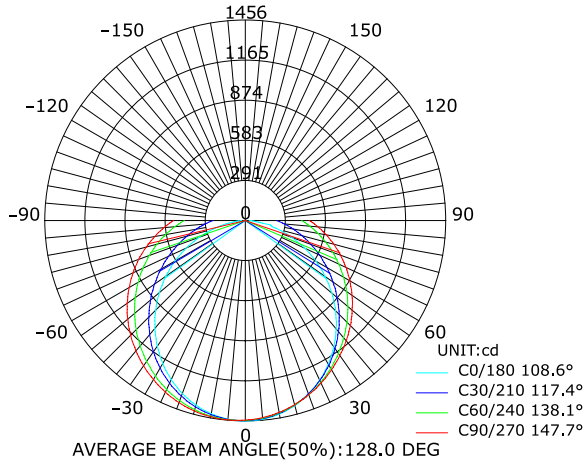
C n IP65 connector

IP65 connector instruction



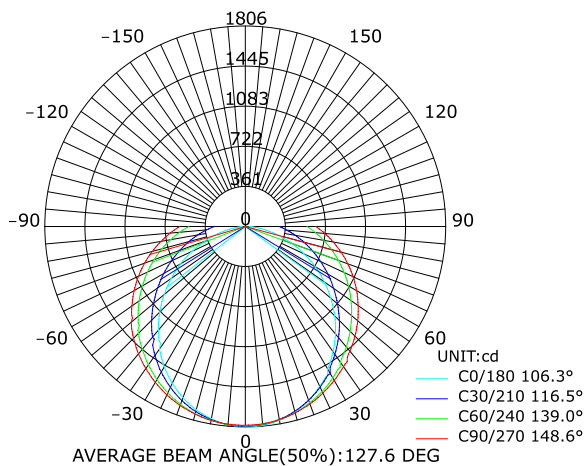
Optical Parameters

40W



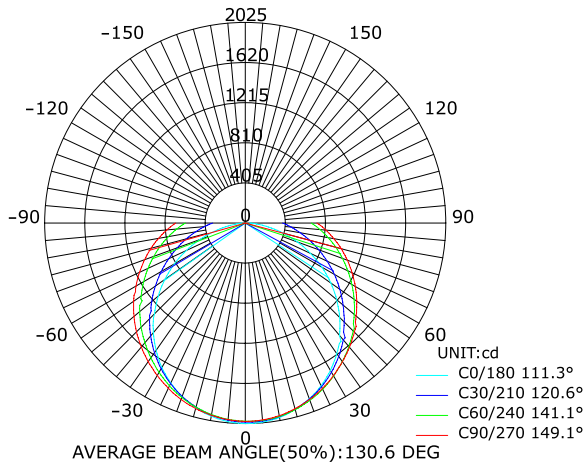
Height	Eavg, Emax	Angle:108.6deg	Diameter
1m	492.68, 1456.32LX		2.78cm
2m	123.17, 346.08LX		5.57cm
3m	54.76, 161.80LX		8.35cm
4m	30.79, 91.02LX		11.14cm
5m	19.71, 58.25LX		13.92cm

50W



Height	Eavg, Emax	Angle:106.2deg	Diameter
1m	642.00, 1805.27LX		2.67cm
2m	160.51, 451.32LX		5.33cm
3m	71.34, 200.57LX		8.00cm
4m	40.13, 112.83LX		10.66cm
5m	25.68, 72.21LX		13.33cm

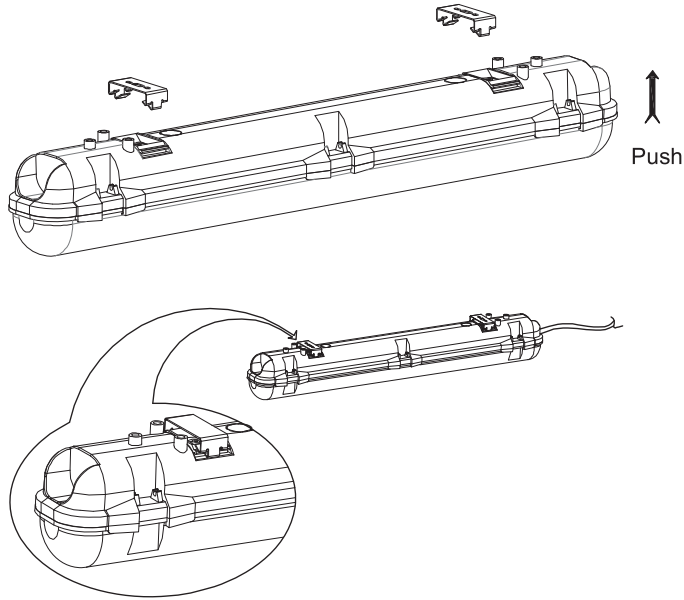
60W



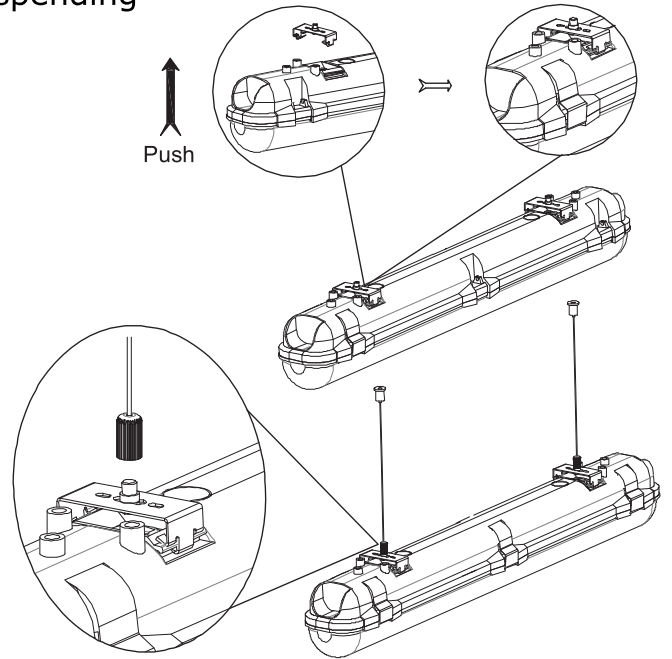
Height	Eavg, Emax	Angle:111.3deg	Diameter
1m	656.02, 2024.52LX		2.93cm
2m	164.01, 506.13LX		5.85cm
3m	72.89, 224.95LX		8.78cm
4m	41.00, 126.53LX		11.71cm
5m	26.24, 80.98LX		14.64cm

Installation

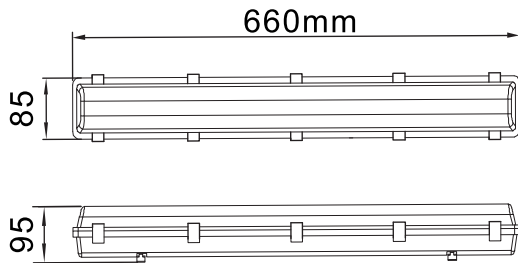
Surface mounting



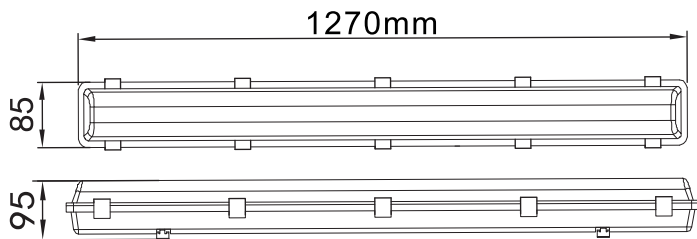
Suspending



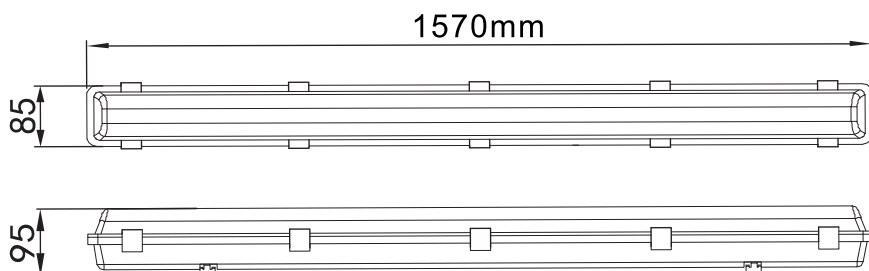
Dimension & Package



1. Carton Size: 74x35x26(cm)
2. Qty/Ctn: 6PCS
3. 7.9KG/Carton



1. Carton Size: 132x35x26(cm)
2. Qty/Ctn: 6PCS
3. 13.8KG/Carton



1. Carton Size: 161x35x26(cm)
2. Qty/Ctn: 6PCS
3. 17.5KG/Carton

Sensor & Emergency

Microwave Motion Sensor Technical Data

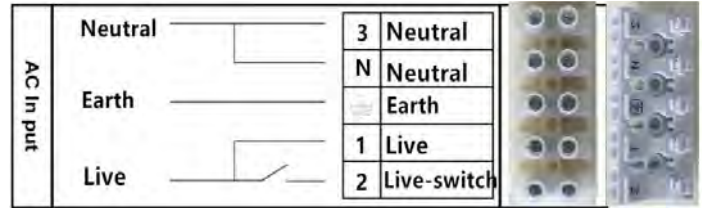
standby power	< 1W
Detection area	10%/50%/75%/100%, can be customized
Hold time	5s/30s/1min/5min/10min/20min/30min
Standby period	0s/10s/1min/5min/10min/30min/1h/+∞
Standby dimming level	10%/20%/30%/50
Daylight threshold	2~50Lux/disable
Spensor principle	Microwave motion detector
Microwave frequency	5.8GHz+/-75MHz
Microwave power	< 0.2mw
Detection range	Max.(OxH): 12m×6m
Detection angle	30°~150°
Mounting height	Max.6m
Operating temperature	-20℃~+60℃
IP rating	IP20/IP65(Mounting in Hytronik special box)
Certificate	Semko, EMC, CE, R&TTE

Emergency Function(Typical)

Input Voltage	AC100-277v
Input Frequency	50-60Hz(Max Frequency:47-63Hz)
Emergency time	> 1.5Hours
Emergency Power	12W
Battery Specification	18650Li-ion 12V/2.2A
Emergency Switching Time	< 1 second
Charging Time	< 12Hours
Working Temp.	-25℃~+40℃

*For customized solution pls contact us.

Wiring



sensor setting

Detection area	Hold time	Daylight sensor	Stand-by period	Stand-by dim level
I 100%	I 5s	I Disable	I 0s	I 10%
II 75%	II 30s	II 50Lux	II 10s	II 20%
III 50%	III 60s	III 10Lux	III 1min	III 30%
IV 10%	IV 5min	IV 2Lux	IV 5min	IV 50%
	V 10min		V 10min	
	VI 20min		VI 30min	
	VII 30min		VII 1h	
			VIII +∞	

Application

