

The All-New EAS-ARD-15050-FT12

---The LED Hi Bay for the Food Industry



Total breakthrough, only for perfection!

Only a comprehensive can build up perfection; only constant breakthrough on every aspect can get closer to perfection. From IP grade to lumen, from dust-free design to safe... Every special requirement you expect can be satisfied from the all-new T150W.



Feature:

- ◆ IP65 or IP67
- ◆ Dust-free design, provide clean light
- ◆ Easy for cleaning, can be washed by high pressure water
- ◆ CRI>80
- ◆ no any glass components, ideal for food industry
- ◆ EU Patent Design

Application:

The all-new T150W is specially designed for food industry lighting, for example:

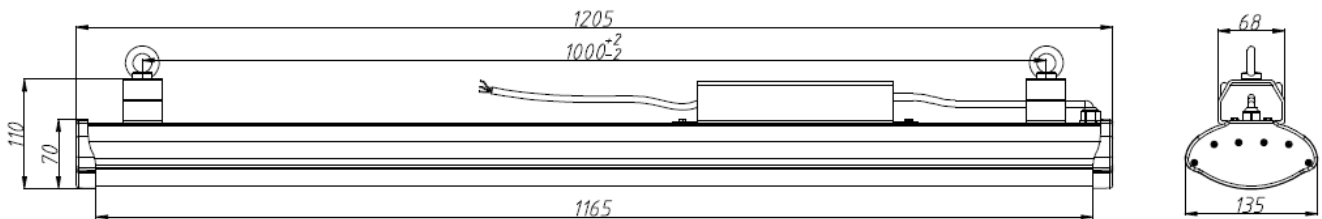
- | | |
|-------------------------|-----------------|
| ◆ Milk | ◆ Dairy product |
| ◆ Chocolate | ◆ Biscuit |
| ◆ Fresh food processing | ◆ Beverage |



E469084

Z1A 14 07 82747 009

Dimensions:



Specifications:

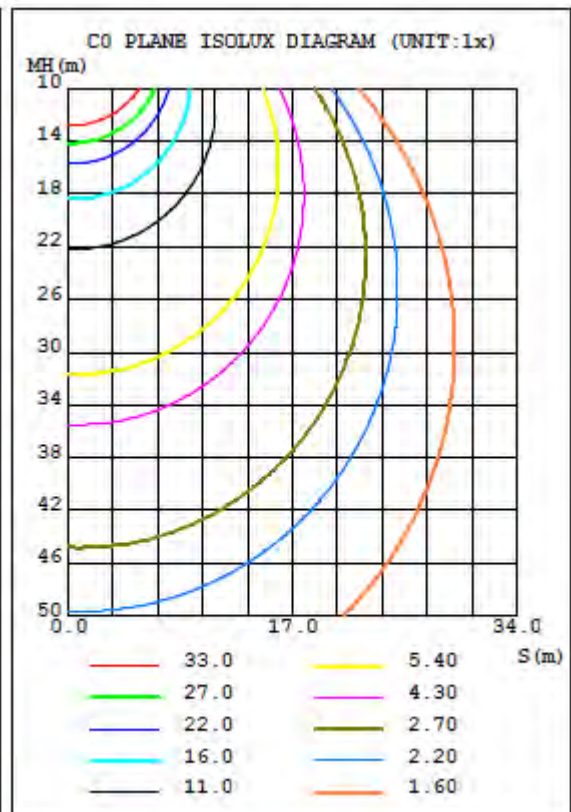
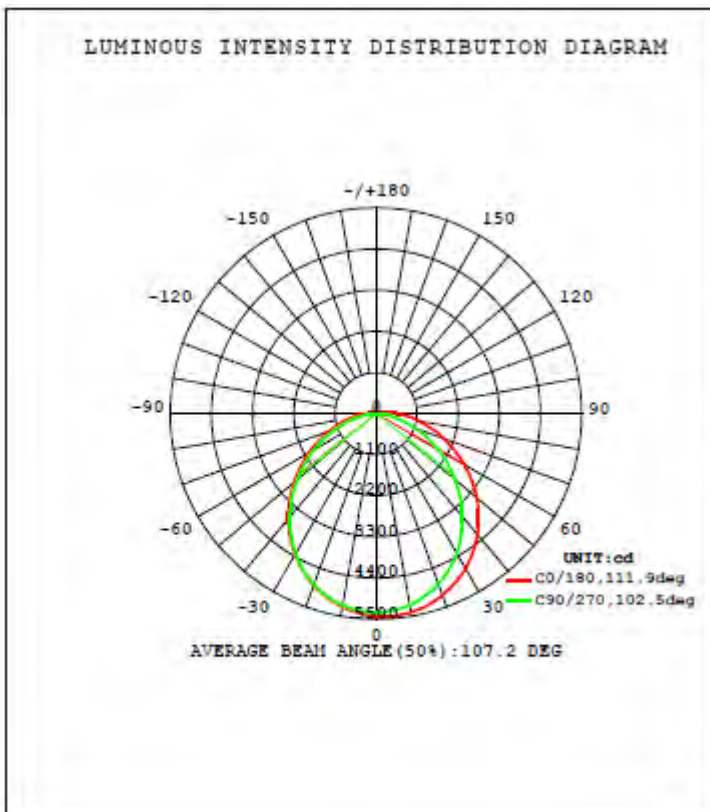
Model No.	EAS-FT150W
Size	1205*135*70mm
Rated Power	150W
Input Voltage	AC100-277V 50~60Hz
LED Quantity	336pcs Samsung SMD5630
Color Temperature	3000K-3500K 4000K-4500K 5500K-6500K
Luminous flux	14500-15500lm
CRI	>80
Materials	Aluminum &PC Cover
Beam Angle	120°
IP Grade	IP65/IP67
Power Driver	Meanwell HLG-185H-48A
warranty	5 years
Package	15.5kg/2pcs/carton
Net weight	5.8kg
Carton	1270*290*210mm

Spectrophotocolorimeter Test Report

LUMINAIRE PHOTOMETRIC TEST REPORT

NAME: FYT-T150W CW	TYPE: LED 5630	WEIGHT:
SPEC.:	DIH.:	SERIAL No.: 1
MFR.: FYT	SUR.: 1150*103mm	PROTECTION ANGLE:

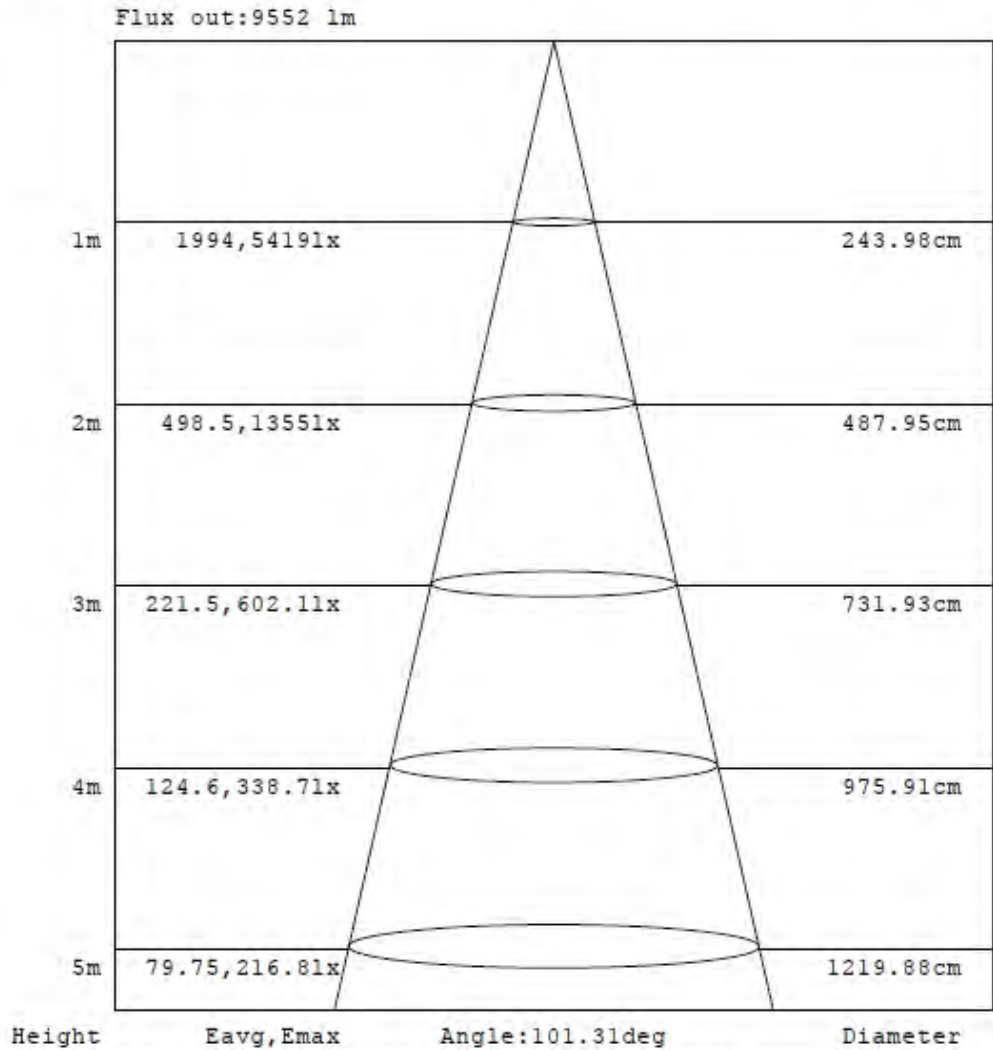
DATA OF LAMP		PHOTOMETRIC DATA				Eff: 102.39 lm/W
MODEL	FYT-T150W	I _{max} (cd)	5430	S/MH (C0/180)	1.20	
NOMINAL POWER (W)	150	LOR (%)	100.0	S/MH (C90/270)	1.22	
RATED VOLTAGE (V)	230.0	TOTAL FLUX (lm)	15339	UP, DN (C0-180)	1.1, 49.5	
NOMINAL FLUX (lm)	15338.9	CIE CLASS	DIRECT	UP, DN (C180-360)	0.9, 48.4	
LAMPS INSIDE	1	up (%)	2.1	CIBSE SHR NOM	1.25	
TEST VOLTAGE (V)	230	down (%)	97.9	CIBSE SHR MAX	1.35	



Spectrophotocolorimeter Test Report

AAI Figure

NAME: FYT-T150W CW	TYPE:LED 5630	WEIGHT:
SPEC.:	DIM.:	SERIAL No.:1
MFR.: FYT	SUR.:1150*103mm	PROTECTION ANGLE:

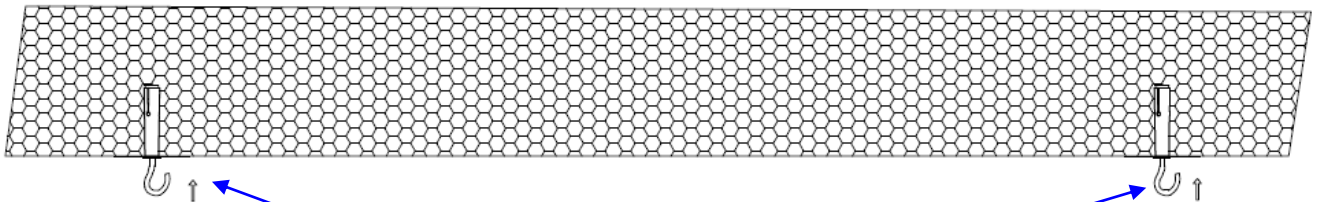


Note:The Curves indicate the illuminated area and the average illumination when the luminaire is at different distance.

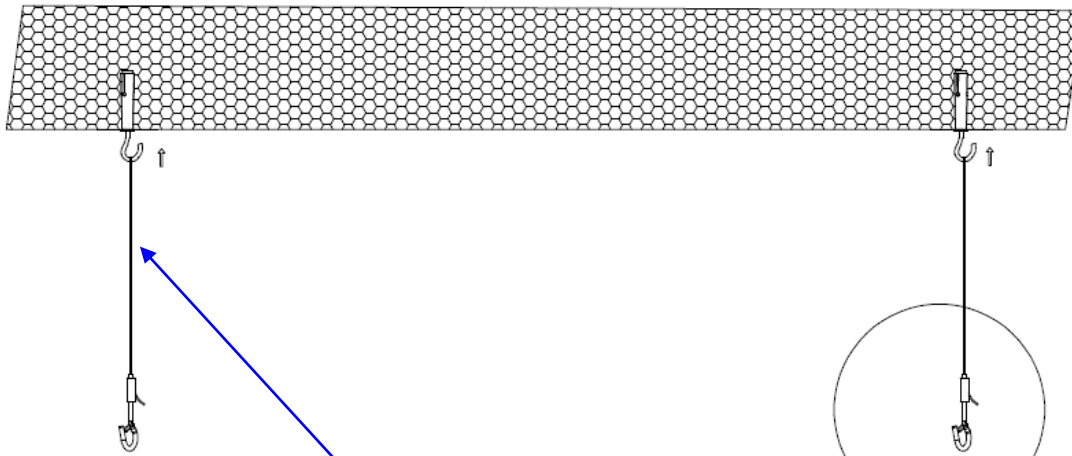
Installation:

Lifting Ropes Installation

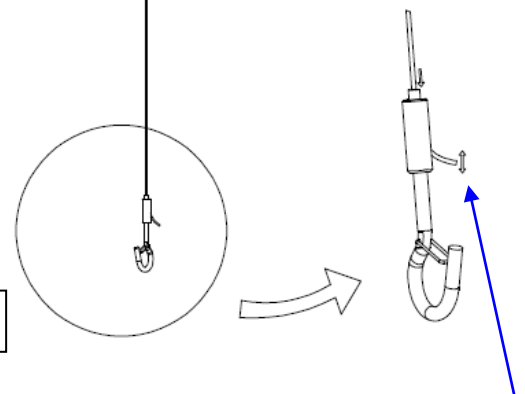
Adjust the interval space according to actual situation.



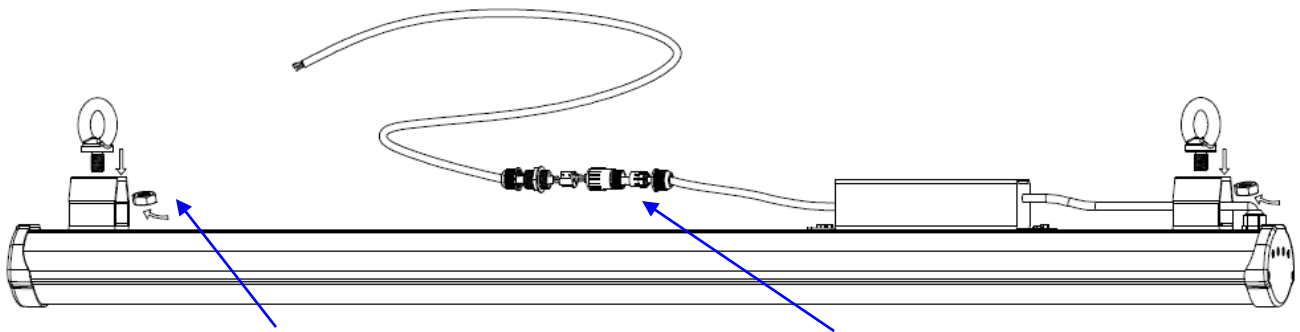
Fix the expansion screws in the wall



Hang the lifting ropes on the clivers of the expansion screws.

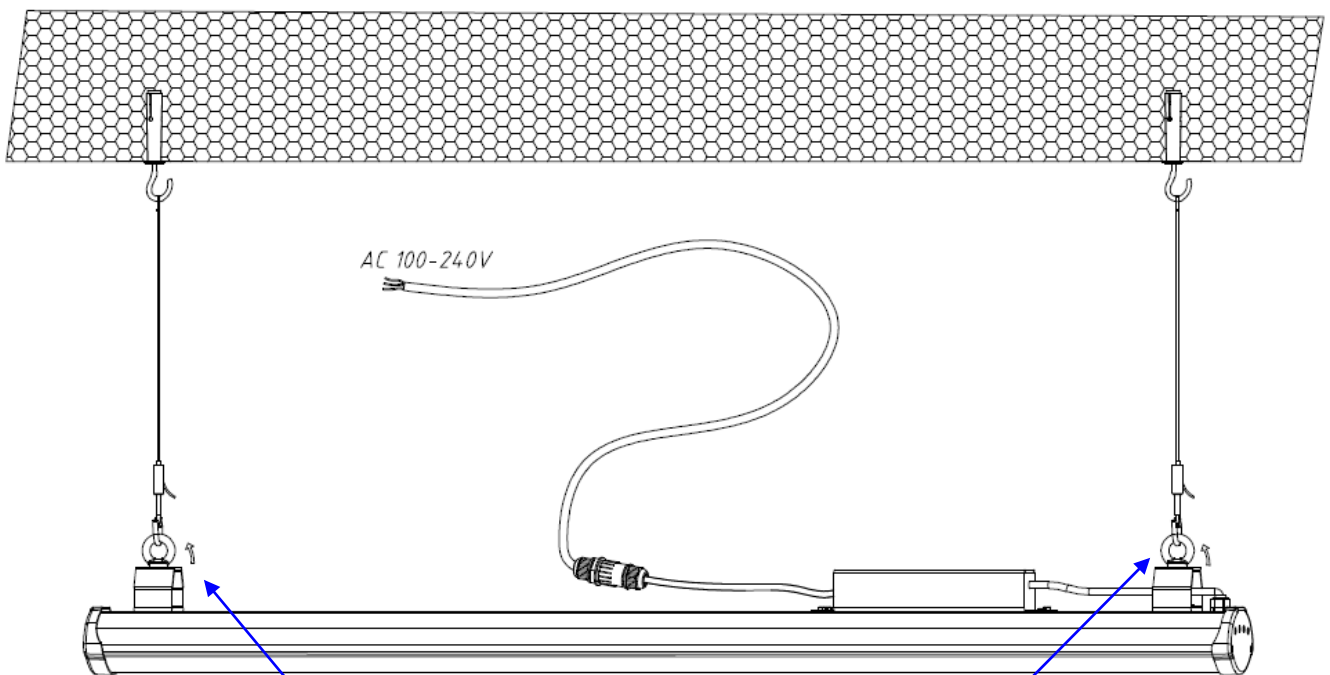


Press on the upper buttons to adjust the height of the lifting ropes.



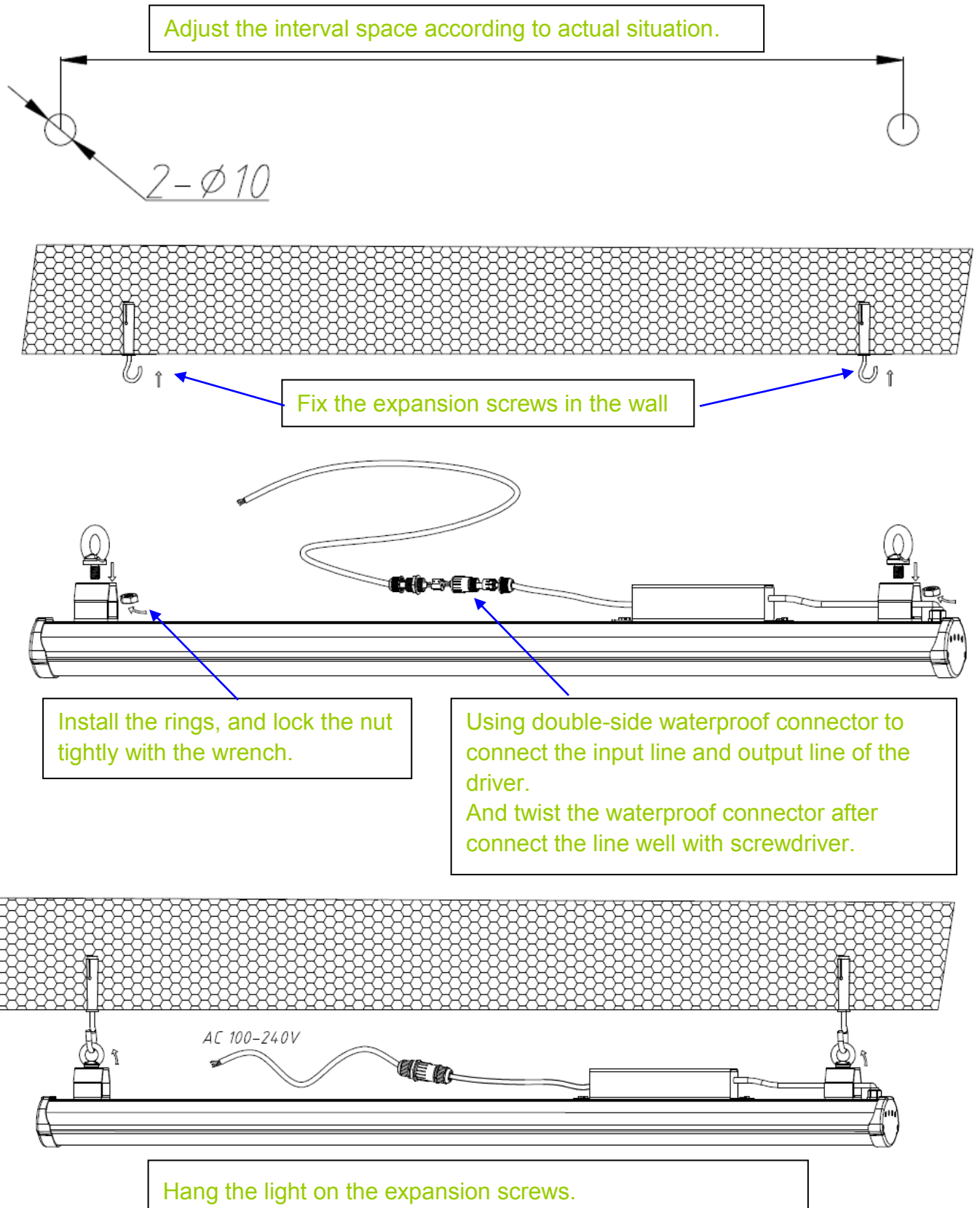
Install the rings, and lock the nut tightly with the wrench.

Using double-side waterproof connector to connect the input line and output line of the driver.
And twist the waterproof connector after connect the line well with screwdriver.



Hang the lamp on the hook of the rope.

Wall Installation



EASi LED Limited Warranty

EASILED warrants to the original buyer only each LED light to be free from defects in materials and workmanship and will substantially conform to their applicable specifications for the Warranty Period listed above from the date of shipment to the original buyer. Upon any failure of a product to comply with this warranty, EASILED's sole obligation, and buyer's sole remedy is for EASILED to promptly replace the unit and return it to the original buyer. Materials and labor will be free of charge in repairs under warranty. Transportation expenses of returning and replacement are covered by EASILED. This express limited warranty is subject to the terms and conditions outlined below.

EASILED product	Part Number	Warranty Period
LED High Bay Tube	EAS-FT150W	60 months / 5 years

EASILED MAKES NO OTHER WARRANTIES OR CONDITIONS ON THE PRODUCTS, EXPRESS, IMPLIED, OR STATUTORY, AND SELLER SPECIFICALLY DISCLAIMS ANY IMPLIED WARRANTY OR CONDITION OF MERCHANTABILITY, FITNESS FOR A PARTICULAR PURPOSE OR NONINFRINGEMENT.

TERMS AND CONDITIONS

This express limited warranty does not apply to products that have been abused, damaged, altered or misused by any person or entity after title passes from EASi. In addition, this express limited warranty only applies when EASILED products are: properly wired and installed, operated on a suitable power supply in accordance with the parameters specified in the applicable product Specification Sheet, used in lighting equipment designed and approved for the application and in environmental conditions (temperature, humidity) within the normal specified operating range of the Product.

WARRANTY ACTIVATION / SERVICE CLAIMS

Under EASILED's limited warranty term, if you are having problems with our product, please contact your account manager by email or phone. Indicate the problems or failures you are having and take the pictures of the problems or faulty products.

If the quantity of faulty product is small, EASILED will ship the free replacement without asking for sending back the faulty ones. If faulty quantity is big, EASILED will ask you to send back the products for repairs. (Please ensure that product is well packaged, we will not be responsible for any damages suffered during transportation.)

RETURN OF DEFECTIVE PRODUCT

Products returned for warranty claims must be received by EASILED prior to the expiration of the Warranty Period. Except as specified below, the original buyer may not return products to us without our prior written approval, which we may withhold in our sole discretion. Returned products will be promptly repaired or replaced, at our option. The original buyer shall bear all of the risk, and all costs and expenses, associated with products that have been returned to us if there is no defect found or which are returned without our prior written approval. The original buyer must provide us with shipping instructions to return replacement or repaired products.

LIMITATION OF LIABILITY

IN NO EVENT SHALL EASi LED BE LIABLE FOR ANY INCIDENTAL, INDIRECT, SPECIAL, CONSEQUENTIAL, STATUTORY, EXEMPLARY, OR PUNITIVE DAMAGES OF ANY KIND RESULTING FROM ANY USE OR FAILURE OF THE PRODUCTS, EVEN IF WE HAVE BEEN ADVISED OF THE POSSIBILITY OF SUCH DAMAGES, INCLUDING, WITHOUT LIMITATION, LIABILITY FOR LOSS OF USE, LOSS OF REVENUE OR PROFITS, OR ANY LIABILITY A BUYER MAY HAVE TO ANY THIRD PARTY ON ACCOUNT OF SUCH LOSS, OR FOR ANY LABOR OR ANY OTHER EXPENSE, DAMAGE, OR LOSS OCCASIONED BY SUCH PRODUCT, INCLUDING PERSONAL INJURY OR PROPERTY DAMAGE.

Our liability for damages arising out of or related to a product shall in no case exceed the purchase price of the product from which the claim arises. To the extent permitted by applicable law, these limitations and exclusions will apply whether our liability arises or results from breach of contract, breach of warranty, tort (including but not limited to: negligence, gross negligence, malice, or intentional conduct), strict liability, by operation of law or otherwise.



We reserve the right to revise or update its product specifications.