

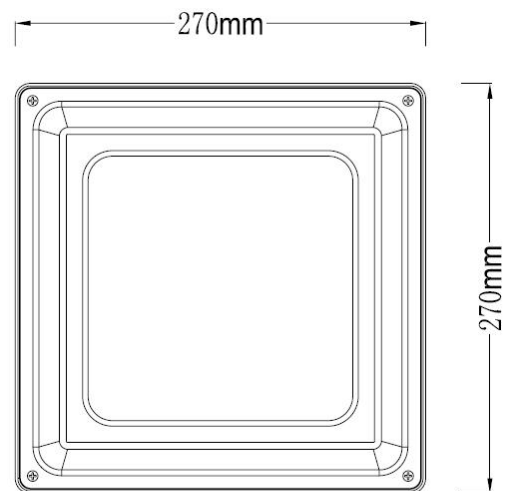


LED Canopy Light

EAS-CAN-75-01

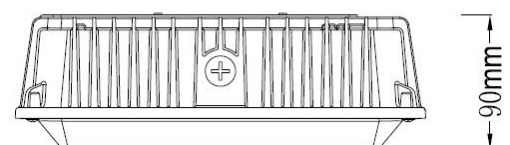
Advantage:

- CE RoHS certificate
- IP65 Internal driver,
Input voltage 100-240Vac
- No UV or IR in the beam
- Easy to install and operate
- Energy saving, Long lifespan
- Instant start, NO flickering, NO humming
- Green and eco-friendly without mercury.



Application:

- ◆ Widely used in gas station;
- ◆ Service station;
- ◆ underground parking lot;
- ◆ garage, etc.



Product Specifications

Product name	LED Canopy Light
Part No	EAS-CAN-75-01
Dimension	270 x 270 x 90 mm

Technical Characteristic

Color temperature	2700-6500K
CRI	>80
Lumen	7500 - 8600LM
Input Power	75W
Viewing Angle	120°
Input Voltage	100-240Vac 50/60Hz
Driver model	China Brand Driver
PFC	>0.9
Waterproof Rating	IP65

Materials

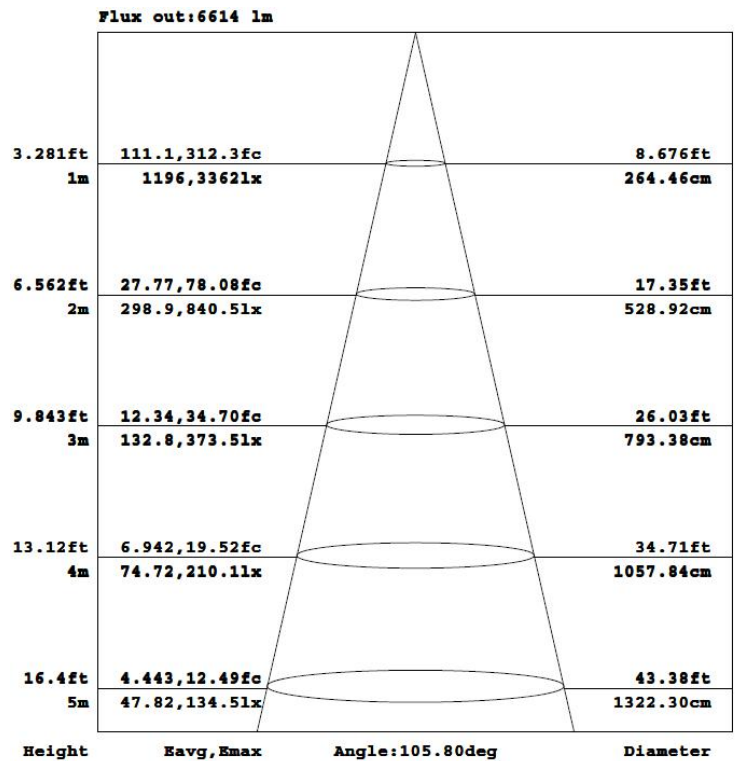
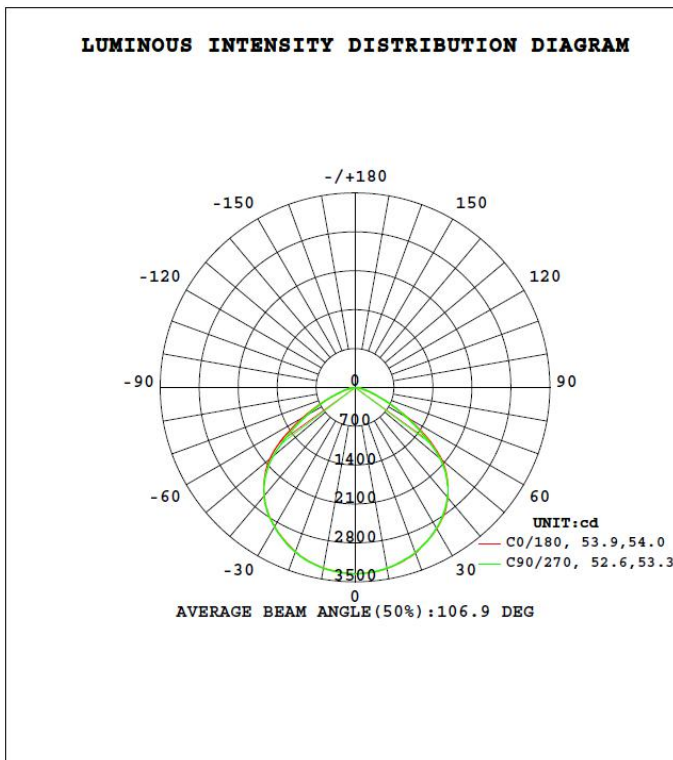
LED Brand	PHILIPS LUMILEDS
LED Type	LUXEON 3030 2D (1.5W)
LED QTY	98 PCS
Housing	Aluminum
Housing color	White

Others

Operating Temperature	-20°C TO 45°C
Operating Humidity	20%-90% RH
Storage Temperature	-30°C TO 80°C
Storage Humidity	10%-95%
Application	Indoor / Outdoor
Safety Certification	CE、RoHS
Warranty Time	5 Years

Light Distribution Testing Parameters

DATA OF LAMP		PHOTOMETRIC DATA				Eff: 112.11 lm/W
MODEL	75W	Imax (cd)	3356	S/MH (C0/180)	1.29	
NOMINAL POWER (W)	75	LOR (%)	100.0	S/MH (C90/270)	1.29	
RATED VOLTAGE (V)	230	TOTAL FLUX (lm)	8510.4	η UP, DN (C0-180)	0.1, 50.3	
NOMINAL FLUX (lm)	8510.36	CIE CLASS	DIRECT	η UP, DN (C180-360)	0.1, 49.5	
LAMPS INSIDE	1	η up (%)	0.2	CIBSE SHR NOM	1.25	
TEST VOLTAGE (V)	230	η down (%)	99.8	CIBSE SHR MAX	1.35	



Note: The Curves indicate the illuminated area and the average illumination when the luminaire is at different distance.

Package

Lamps Net Weight: 3.8 kg / pc

	Size	Qty/Carton	Weight/Carton
Outer box	320 x 320 x 160 mm	1	4.6 kg

