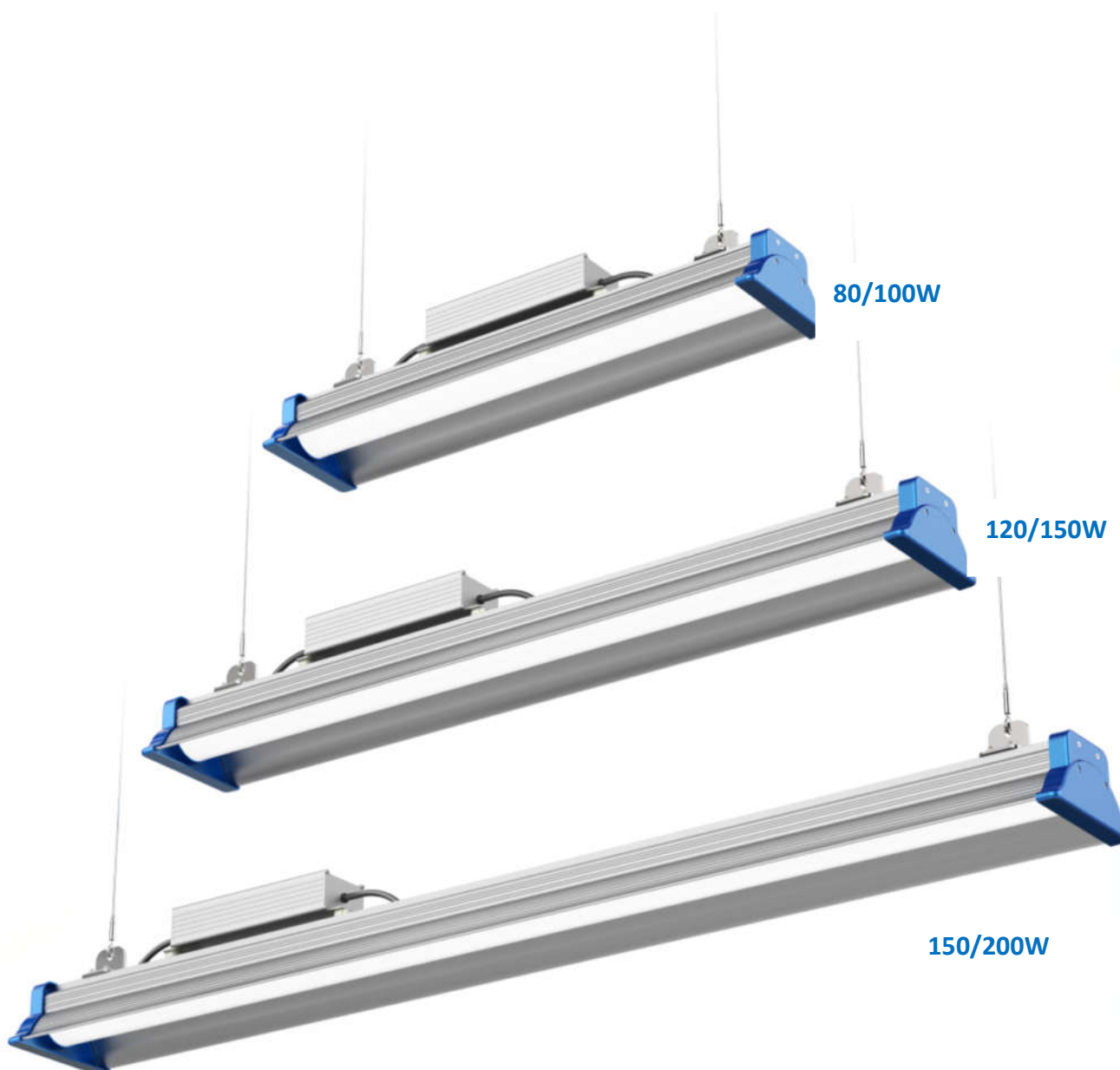


EAS-ARD - HiBay



Features:

Energy Automation Systems UK Ltd,
20-22 Wenlock Road,
London
N1 7GU U.K.
+44(0)8708507669

Energy Automation Systems Ireland
Unit 18, Doora Business Park,
Quin Road, Ennis, Co.Clare,
IRELAND
+353(0)656841722

EASi ME Trading LLC
111F Ibn Battuta Gate, P.O.Box 390645,
Dubai, UAE

+971 4 361 7021

As high as 140lm/w

IP65 for indoor and wet locations

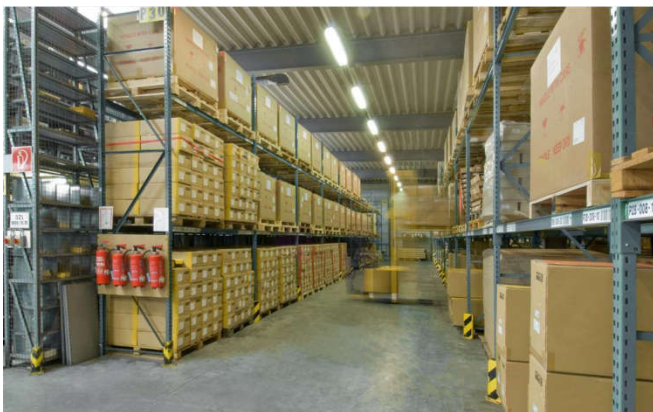
Suitable for 4 to 18 meters lighting

1-10V dimmable, DALI dimmable, microwave sensor, zigbee as optional

Certificates:

- American market: UL, cUL
- European market: TUV, GS, CB, CE, RoHS
- Australian market: SAA, CTick

Applications: Warehouses, Manufacturing, Supermarket, Production line, Logistics



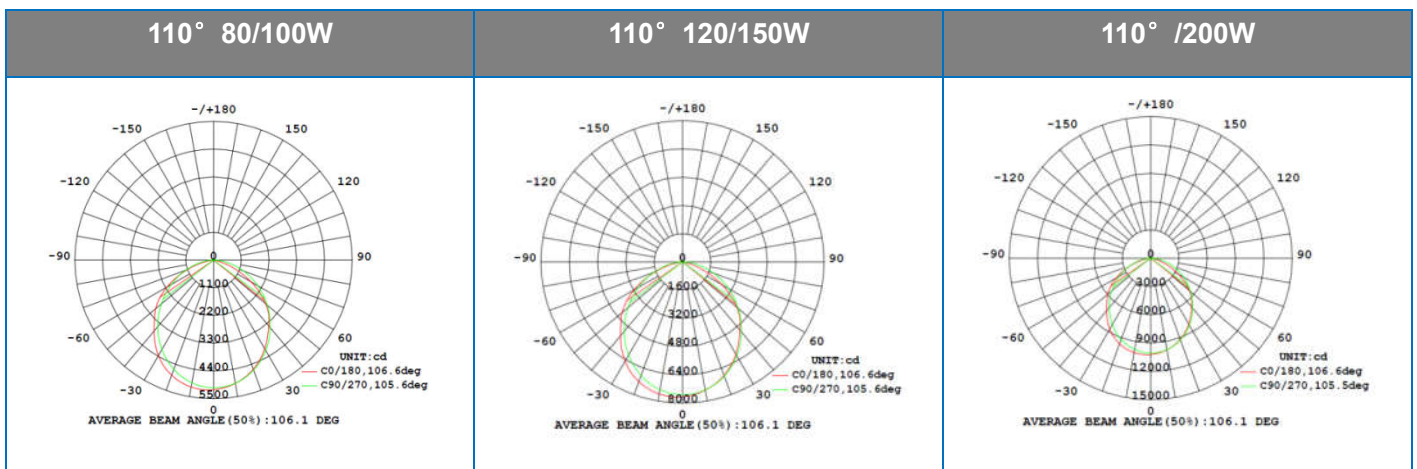
Electrical and Photometric Specification

Model	Input Voltage	Driving Current (mA)	Power (W)	Luminous Efficacy (lm/W)	Flux (lm)	Power Factor	Power Efficiency	Beam Angle	LED Brand	CCT (K)	CRI
EAS-ARD 80W	AC100-277V 50~60Hz	1720	80	130±10	10400 ±800	0.95	90%	110°	336pcs 0.5W SMD2835	3000 4000 5000 6000	>80
EAS-ARD 100W	AC100-277V 50~60Hz	2150	100	130±10	13000 ±1000	0.95	90%	110°	336pcs 0.5W SMD2835	3000 4000 5000 6000	>80
EAS-ARD 120W	AC100-277V 50~60Hz	2640	120	130±10	15600 ±1000	0.95	92%	110°	462pcs 0.5W SMD2835	3000 4000 5000 6000	>80
EAS-ARD 150W	AC100-277V 50~60Hz	3300	150	130±10	19500 ±1500	0.95	92%	110°	462pcs 0.5W SMD2835	3000 4000 5000 6000	>80
EAS-ARD 150W LP	AC100-277V 50~60Hz	3300	150	135±10	20300 ±1500	0.95	92%	110°	630pcs 0.5W SMD2835	3000 4000 5000 6000	>80
EAS-ARD 200W	AC100-277V 50~60Hz	4380	200	130±10	26000 ±2000	0.95	92%	110°	630pcs 0.5W SMD2835	3000 4000 5000 6000	>80

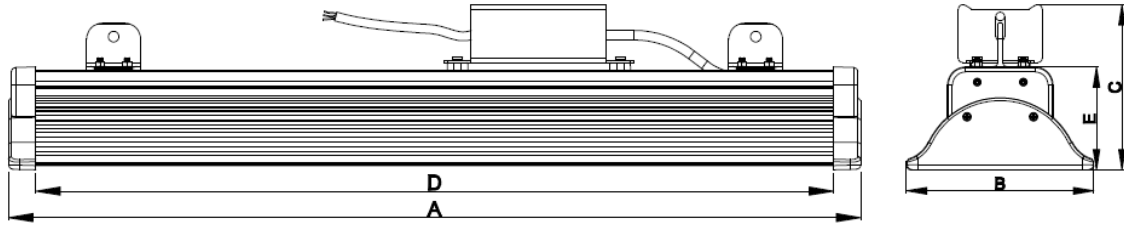
Mechanical and Environmental Specification

Model	Working Environment	Storage Temperature	Lumen Maintenance (h)	Housing Material	Product Size (mm)	Packing Size (mm)	N.W (kg)	G.W (kg)
EAS-ARD 80/100W	-40°C~+50°C 0%~90%RH	-40°C~+85°C	>50000	Aluminum 6063	605*138*122	650*330*170	3.2	7.5
EAS-ARD 120/150W	-40°C~+50°C 0%~90%RH	-40°C~+85°C	>50000	Aluminum 6063	905*138*122	950*330*170	4.1	10.2
EAS-ARD 150W LP	-40°C~+50°C 0%~90%RH	-40°C~+85°C	>50000	Aluminum 6063	1205*138*122	1250*330*170	5.2	12.6
EAS-ARD 200W	-40°C~+50°C 0%~90%RH	-40°C~+85°C	>50000	Aluminum 6063	1205*138*122	1250*330*170	5.4	13

Lighting Distribution

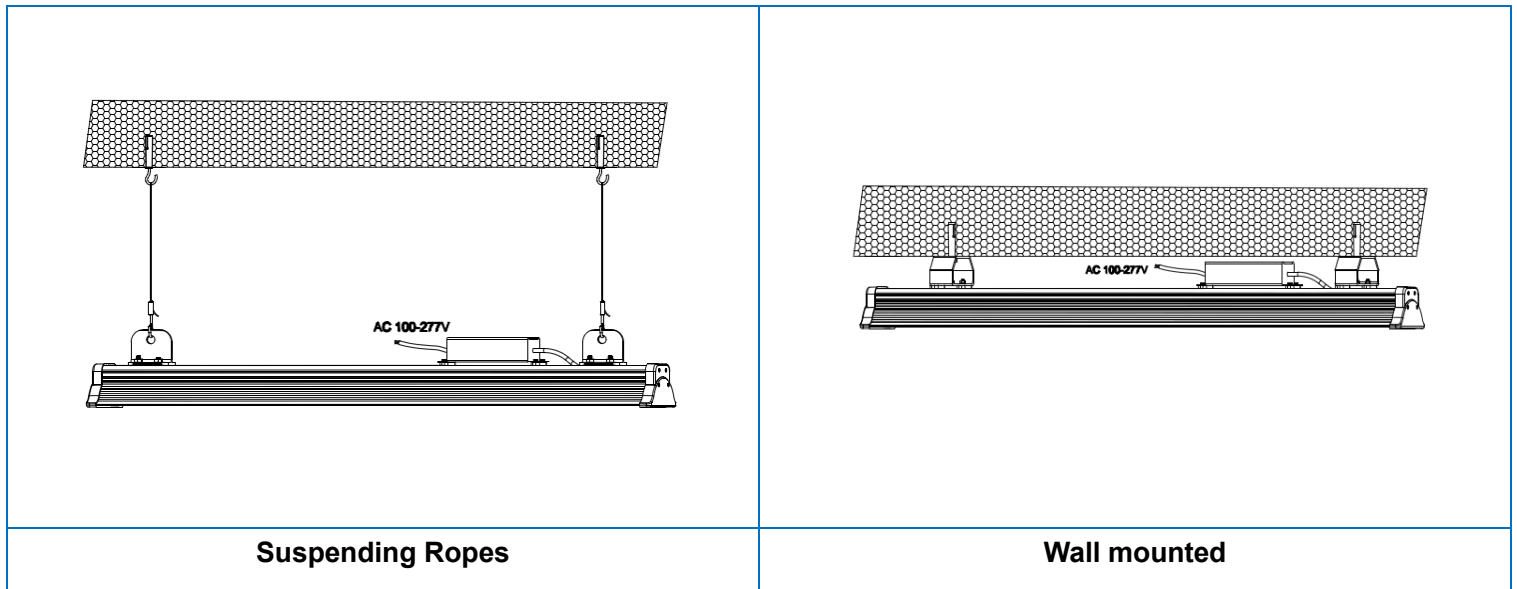


Dimensions (mm)



Model	sizeA(mm)	sizeB(mm)	sizeC(mm)	sizeD(mm)	sizeE(mm)
EAS-ARD 80/100W	605	138	122	565	76
EAS-ARD120/150W	905	138	122	865	76
EAS-ARD 150W LP	1205	138	122	1165	76
EAS-ARD -200W	1205	138	122	1165	76

Installation



Specifications are subject to change without notice.